

15-PSD08

8 Port DC13.8V Wall Mount 8A Power Supply



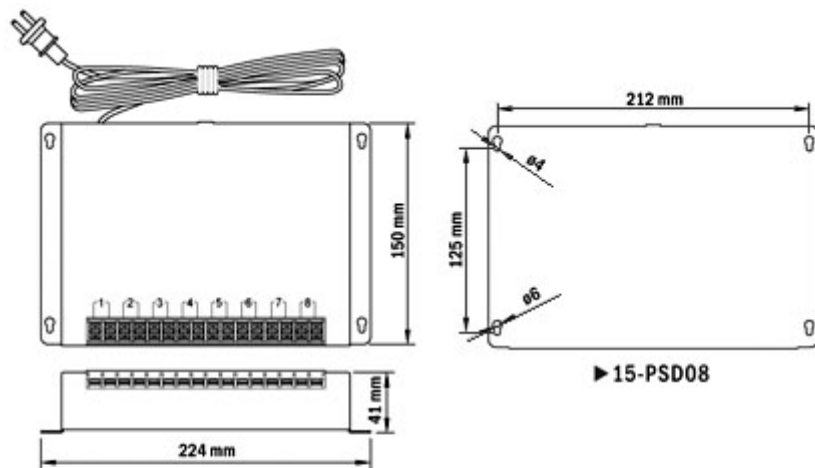
Feature

- 8 port DC13.8V output
- Up to 8A output current
- Overload protection
- Over voltage protection
- LED indication for short circuit
- AC110V or AC220V input

QTY/CTN:4



DRAWINGS, DIAGRAMS OR ILLUSTRATIVE IMAGES FOR YOUR GUIDANCE



► 15-PSD08

